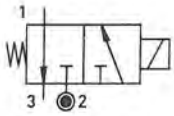


### Valve Reference B17



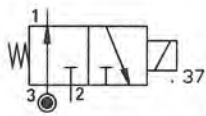
3-Way



3-Way Normally Closed  
04F30Cxx

Port Identification:

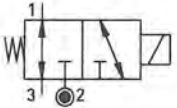
Press - 2 / CYL - 1 / EXH - 3



3-Way Normally Open  
04F30Oxx

Port Identification:

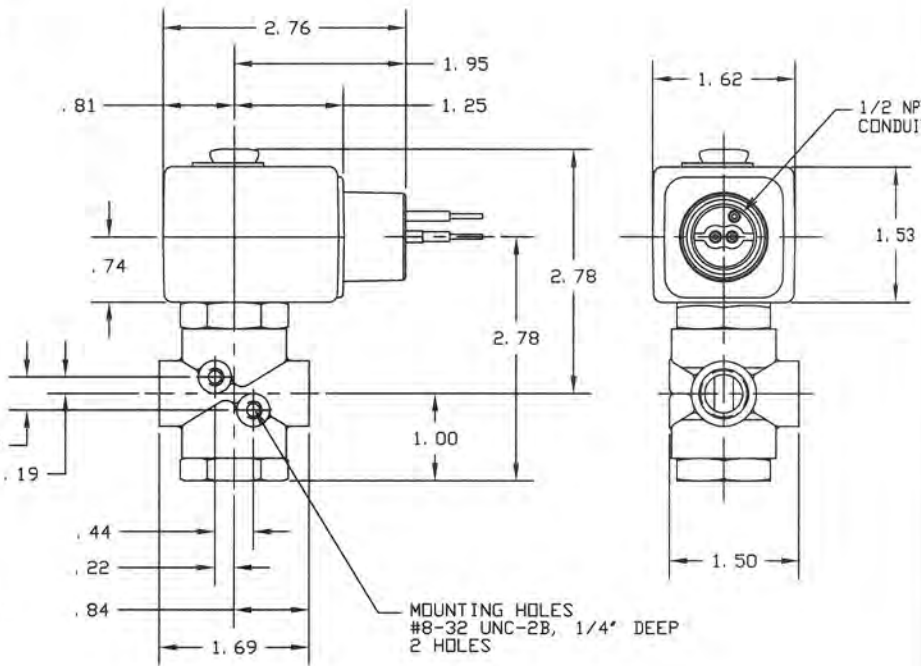
Press - 3 / CYL - 1 / EXH - 2



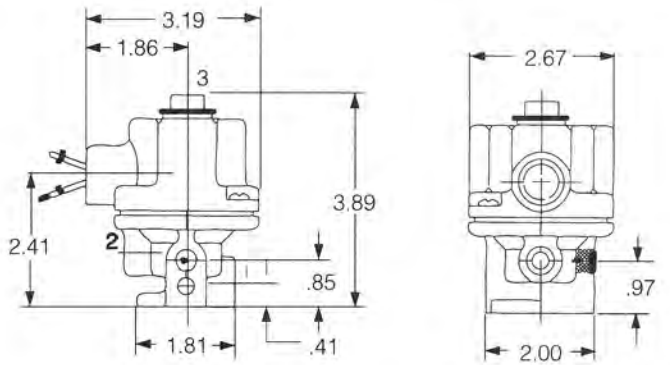
3-Way Universal  
04F30Uxx

Port Identification:

Pressure can be applied at either port



### Valve Reference B18



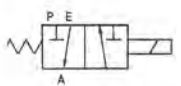
#### Port Identification:

A3 (NC)      A4 UNIV.      A5 (NO)

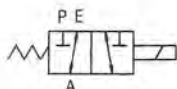
P IN	NC Common	Exhaust Cylinder IN
A Cylinder	NO	
E Exhaust		



3-Way Normally Closed  
A3



3-Way Normally Open  
A5



3-Way Universal  
A4

